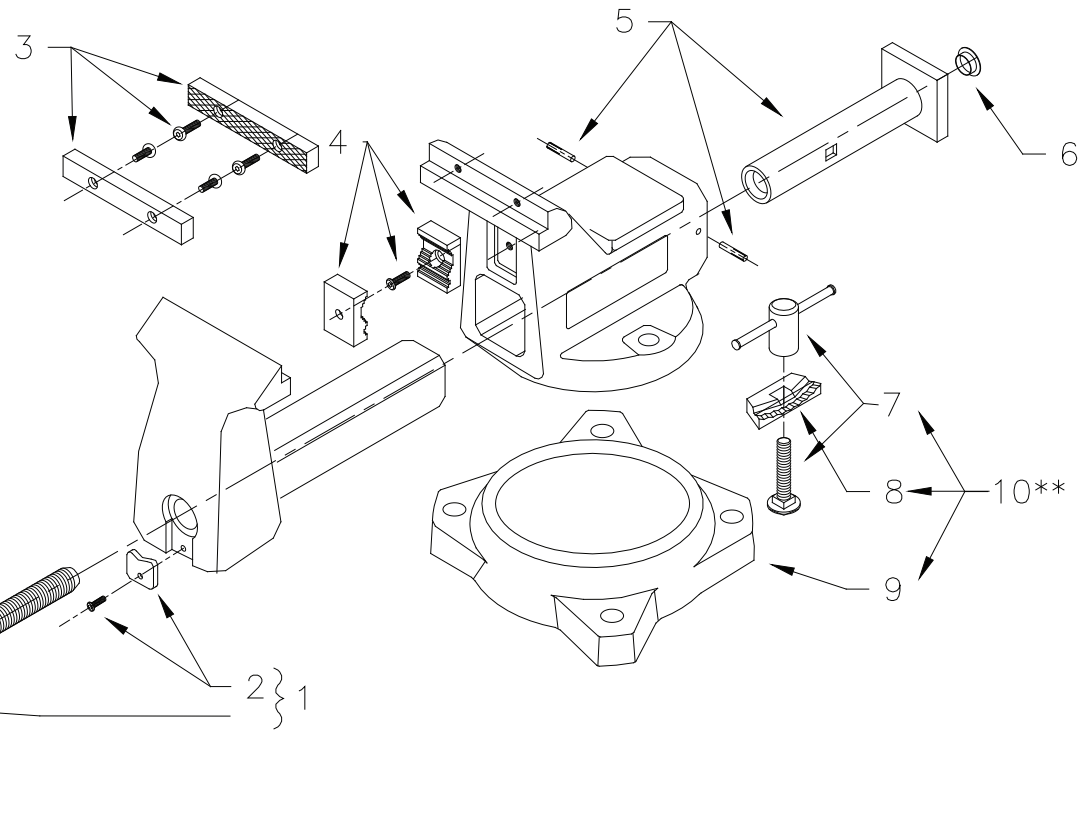
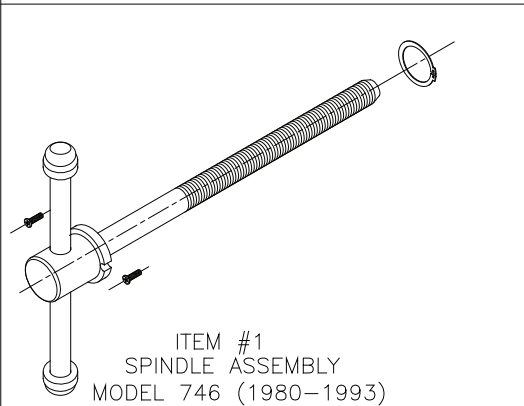


MECHANIC'S VISE & HI-VISIBILITY VISE Replacement Parts



WILTON MODEL NUMBER	MOVEABLE * JAW CASTING NUMBER, REFERENCE	ITEM #1 SPINDLE ASSEMBLY WITH (#2)	ITEM #2 SPINDLE STOP WITH SCREW	ITEM #3 SERRATED INSERTS W/ 4 SCREWS	ITEM #4 PIPE JAW INSERTS, COMPLETE	ITEM #5 SPINDLE NUT, WITH 2 PINS	ITEM #6 END PLUG, SPINDLE NUT PLASTIC	ITEM #7** LOCK NUT AND BOLT ASSEMBLIES	ITEM #8** LOCKING PADS (PER PAIR)	ITEM #9** OUTER RING ONLY	ITEM #10** SWIVEL BASE ASSEMBLY #7, #8,& #9
744 (1960-75)	111056	NOT AVAIL.	NOT AVAIL.	2904040	2904200	2900530	9031151	2905160	9040010	1011990	2905360
744 (1975-79)	111139	2906450	2907230	2904040	2904200	2900530	9031151	2905160	9040010	1011990	2905360
744 (80-Present)	111215	2906450	2907230	2904040	2904200	2900530	9031151	2905160	9040010	1011990	2905360
745 (1960-75)	111067	NOT AVAIL.	NOT AVAIL.	NOT AVAIL.	2904200	2900540	9031161	2905160	9040020	1011980	2905390
745 (1975-79)	111141	2906380	2907230	2904110	2904200	2900540	9031161	2905160	9040020	1011980	2905390
745 (80-Present)	111216	2906380	2907230	2904110	2904200	2900540	9031161	2905160	9040020	1011980	2905390
746 (1980-93)	111074	NOT AVAIL.	NONE	2904080	2904200	2900550	9031171	2905240	9040030	1010840	2900980
746 (94-Present)	111271	2907660	2907230	2904080	2904200	2900550	9031171	2905240	9040030	1010840	2900980
1550 Hi-Visibility	111216	2906380	2907230	2904110	2904200	2900540	9031161	2905160	9040020	1012060	2907940
1560 Hi-Visibility	111271	2907660	2907230	2904080	2904200	2900550	9031171	2905240	9040030	1013060	2907950

* The moveable jaw casting number is used as a reference to aid in the identification of correct parts.

** Items 7 thru 10 are not used on "N" model vises.